

1080P Zoom Lens IR PTZ Camera

IPC742SR9-PZ30-32G



Key Features

PTZ

Precision motor with accuracy deviation less than 0.1 degree.

Pan range 250°, tilt range -50° to 50°

Pan speed up to 15°/s, tilt speed up to 5°/s

Optics

Smart IR, up to 100m (328 ft) IR distance

2X Optical Zoom & Auto Focus

IR anti-reflection window to increase the infrared transmittance

Day/night functionality

Compression

Ultra 265, H.265, H.264, MJPEG

Embedded smart algorithm

Triple streams

Customized OSD

Network

ONVIF Conformance

Structure

Support PoE power supply

Wide temperature range: -35°C to +60°C (-31°F to +140°F)

Wide voltage range of $\pm 25\%$

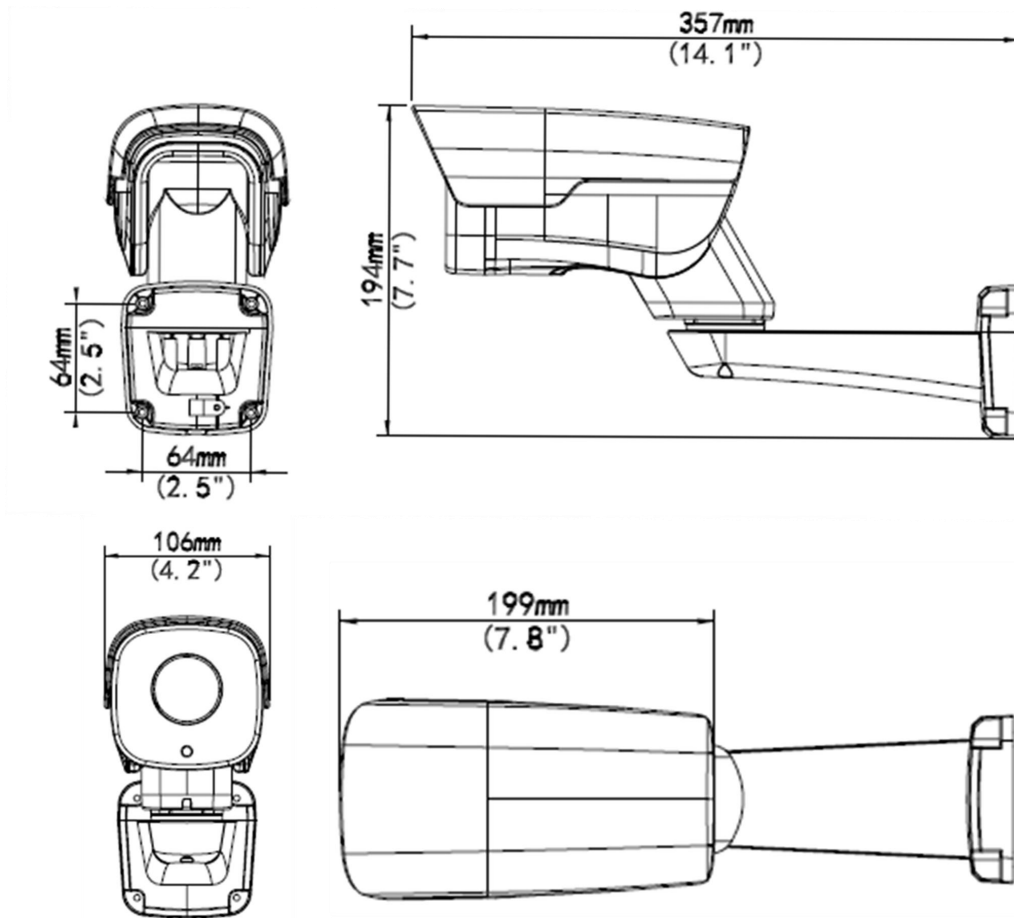
IP66

Specifications

IPC742SR9-PZ30-32G																
Camera																
Sensor	1/2.8", progressive scan ,2.0 megapixel, CMOS															
Lens	3 ~ 6 mm, AF automatic focusing and motorized zoom lens															
Digital Zoom	16															
Optical Zoom	2															
DORI Distance	<table border="1"> <thead> <tr> <th>Lens</th> <th>Detect(m)</th> <th>Observe(m)</th> <th>Recognize(m)</th> <th>Identify(m)</th> </tr> </thead> <tbody> <tr> <td>3mm</td> <td>67.5</td> <td>27</td> <td>13.5</td> <td>6.8</td> </tr> <tr> <td>6mm</td> <td>135</td> <td>54</td> <td>27</td> <td>13.5</td> </tr> </tbody> </table>	Lens	Detect(m)	Observe(m)	Recognize(m)	Identify(m)	3mm	67.5	27	13.5	6.8	6mm	135	54	27	13.5
	Lens	Detect(m)	Observe(m)	Recognize(m)	Identify(m)											
	3mm	67.5	27	13.5	6.8											
6mm	135	54	27	13.5												
Angle of view(H)	90.9°~51.5°															
Angle of View (V)	39.6°~20.4°															
Angle of View (O)	101.8°~63.3°															
Shutter	Auto/Manual, 1 ~ 1/100000s															
Minimum Illumination	Color: 0.02Lux (F2.0, AGC ON) 0 Lux with IR on															
Iris	Auto/Manual, F2.0															
Day/Night	IR-cut filter with auto switch (ICR)															
Digital noise reduction	2D/3D DNR															
S/N	>52dB															
IR Range	Up to 100m (328 ft) IR range															
Defog	Digital Defog															
WDR	DWDR															
Video																
Video Compression	Ultra 265,H.265, H.264, MJPEG															
H.264 code profile	Baseline profile, Main Profile, High Profile															
Frame Rate	Main Stream: 2MP (1920×1080): Max. 30 fps; Sub Stream: 2MP (1920×1080): Max. 30 fps; Third Stream:D1(720×576) : Max. 30 fps															
HLC	Supported															
BLC	Supported															
OSD	Up to 8 OSDs															
Privacy Mask	Up to 8 areas															
ROI	Up to 8 areas															
Motion Detection	Up to 4 areas															
Smart																
Behavior Detection	Intrusion, cross line, motion detection															
Intrusion	Enter and loiter in a pre-defined virtual region															
cross line	Cross a pre-defined virtual line															

motion detection	Moving within a pre-defined virtual region
Recognition:	Face detection、Audio detection
Intelligent Identification	Defocus, Scene Change, Object Left, Object Moving
Statistical Analysis	People counting
General Function	Watermark, IP Address Filtering, Tampering Alarm, Alarm input, Alarm output, Access Policy, ARP Protection, RTSP Authentication, User Authentication
Audio	
Audio Compression	G.711
Two-way Audio	Supported
Suppression	Supported
Sampling Rate	8 KHZ
Storage	
Edge Storage	Built-in 32 GB eMMC
Network Storage	ANR
Network	
Protocol	IPv4, IGMP, ICMP, ARP, TCP, UDP, DHCP, PPPoE, RTP, RTSP, RTCP, DNS, DDNS, NTP, FTP, UPnP, HTTP, HTTPS, SMTP, 802.1x, SNMP
Compatibility	ONVIF(Profile S, Profile T), API
Structure	
Pan Range	250°
Pan Speed	0.1°/s ~ 15°/s
	Preset speed: 15°/s
Tilt Range	-50° ~ 50°
Tilt Speed	0.1°/s ~5°/s
	Preset speed: 5°/s
Number of Presets	400
Patrol	Up to 16 patrols, up to 32 presets per patrol Note: The total number of patrols and patterns is 16.
Interface	
Audio I/O	3.5 mm connector
	Input: impedance 35 kΩ; amplitude 2 V [p-p]
	Output: impedance 600 Ω; amplitude 2 V [p-p]
Alarm I/O	2 / 1
Network	1 RJ45 10M/100M adaptive Ethernet
General	
Power	12 V DC±25%, PoE (IEEE802.3at)
	Power consumption: Max. 17.23 W
Dimensions	357 mm × 106 mm × 194 mm (14.1" × 4.2" × 7.7")
Weight	1.16 kg (2.6 lb)
Working Environment	-35°C to +60°C (-31°F to 140°F), Humidity:10%~95% RH(non-condensing)
Ingress Protection	IP66

Dimensions



Zhejiang Uniview Technologies Co., Ltd.

South Tower, Building 10, Wanlun Science Park, 88 Jiangling Road, Hangzhou, P.R.China 310051

Email: overseasbusiness@uniview.com; globalsupport@uniview.com

<http://www.uniview.com>

©2016-2018 Zhejiang Uniview Technologies Co., Ltd. All rights reserved.

*Product specifications and availability are subject to change without notice.